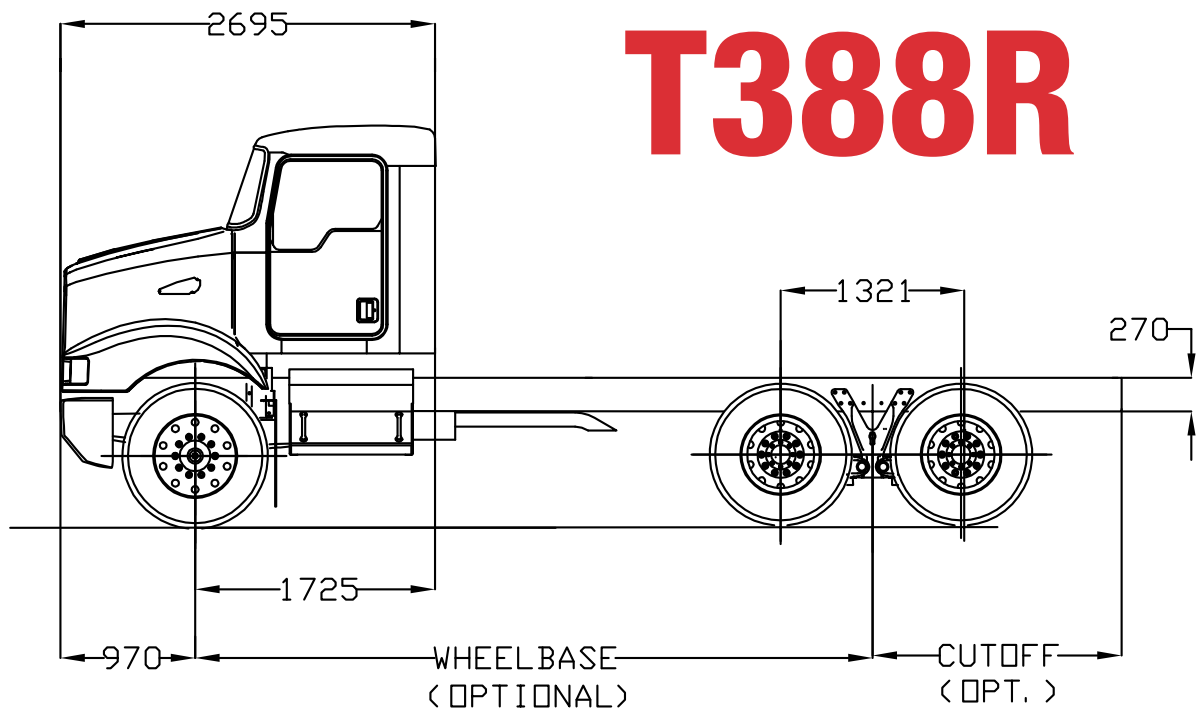


T388R



AUSTRALIAN MADE. WORLD'S BEST.

Vehicles shown may include some non-standard optional equipment.



T388R

The T388R is specifically aimed at rigid truck and tipper applications. It offers a number of options designed to suit these applications including under-rail exhaust with side discharge, a split fuel and oil tank as well as wheelbase and rear cut-off options to suit a variety of vocational and distribution requirements.

MAIN SPECIFICATIONS AND OPTIONS

CONFIGURATION

6 X 4, 4 x 2

ENGINE

CAT C13 410HP 1450/1650lbft
 CAT C13 430HP 1650lbft
 CAT C13 470HP 1650lbft

FRONT AXLES

Dana E-1322 6T
 Meritor FG941 6.6T

SUSPENSION

Air Glide 400 18.1t cap
 Meritor AC6P 6-ROD 18.1t cap

TYRES

Bridgestone 295/80 R22.5 R150 II - 2 steer
 Bridgestone 295/80 R22.5 M722 - Drive
 Bridgestone 275/70 R22.5 R294 - 2 steer
 Bridgestone 275/70 R22.5 M711 - Drive

WHEELS

Alcoa 8.25" - 285 PCD
 Steel Disc Wheels 8.25" - 285 PCD
 Alcoa 8.25" - 335 PCD

EXHAUST

Single under chassis mounted exhaust w/ RH discharge
 Dual cab mounted exhaust

FRONT SPRINGS

Front springs, 6.5t taper leaf (for 9" susp)
 Front springs, 7.2t taper leaf (for 9" susp)

BUMPER

Painted steel bumper
 Brushed aluminium bumper
 FUPS Compliant bumper

MIRRORS

Flat mirrors - heated
 Spotter mirrors below main
 Peeper window LHS spotter mirror
 Flat mirrors - heated with moto mirror

TRANSMISSION

A range of manual and autoshift 10, 13 and 18 speed Eaton transmissions to suit a wide variety of applications and engine torque requirements.

REAR AXLES

A range of heavy duty steer and drive axle options from Dana and Meritor are available to suit various applications and GCM requirements.

CABINS

Huckbolted aluminium frame with aluminium, steel and fibreglass rivetted construction using aerospace technology. Aluminium bulkhead type doors with continuous piano-type hinges. Cabs are ECE29 compliant.

SLEEPER OPTIONS

An array of cabin configurations is available including Day, 28" and 36" flat roof variants.

INTERIOR

Cabin appointments including aircraft style instrumentation, colour coordinated trim, woodgrain dash and heavy duty studded vinyl available.