

Truck Chassis 4x2

Series

FA LF55...E18

GVM max. 18000kg¹⁾

Engine : CE 162 C / CE 184 C

Gross Combination Mass¹⁾: up to 28000 kg

Weights in Kilograms

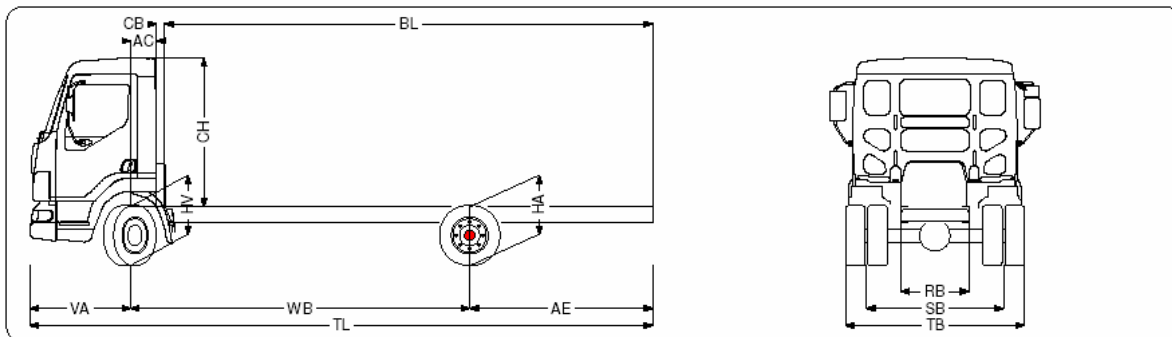
Model	Gross Design Vehicle Mass ¹⁾			Chassis and Cab Weight		
	Front	Rear	Total	Front	Rear	Total
Day Cab						
FA LF55...E18-345	7100	11500	18000	3015	1755	4770
FA LF55...E18-375	7100	11500	18000	3015	1780	4795
FA LF55...E18-415	7100	11500	18000	3020	1815	4835
FA LF55...E18-445	7100	11500	18000	3020	1900	4920
FA LF55...E18-475	7100	11500	18000	3020	1925	4945
FA LF55...E18-530	7100	11500	18000	3020	2030	5050
FA LF55...E18-585	7100	11500	18000	3020	2090	5110
FA LF55...E18-625	7100	11500	18000	3025	2125	5150

Chassis and Cab Weight calculated with: F213 tilt Day Cab, with coil suspension, CE 162 C engine, 6 S 850 gearbox, 152N front axle, SR 11.26 rear axle, parabolic type springs with shock absorbers and stabiliser at front and rear, 325 litre steel fuel tank (empty), 295 / 80 R 22.5 tyres. All further equipment mentioned as standard.

Note: Chassis / cab weight with Sleeper Cab plus 155 kg at front. Exact weights depending on cab and vehicle specification

Dimensions in metres

WB ²⁾	TL	VA	AE	AC	CB	BL ³⁾	CH	HV ⁴⁾	HA ⁵⁾	HA ⁶⁾	RB	SB	TB
Day Cab													
3.45	6.31	1.38	1.48	0.23	0.24	4.46	1.90	0.91	0.96	0.97	0.79	1.82	2.46
3.75	6.76	1.38	1.63	0.23	0.24	4.91	1.90	0.91	0.96	0.97	0.79	1.82	2.46
4.15	7.36	1.38	1.83	0.23	0.24	5.51	1.90	0.91	0.96	0.97	0.79	1.82	2.46
4.45	7.80	1.38	1.98	0.23	0.24	5.96	1.90	0.91	0.96	0.97	0.79	1.82	2.46
4.75	8.26	1.38	2.13	0.23	0.24	6.41	1.90	0.91	0.96	0.97	0.79	1.82	2.46
5.30	9.08	1.38	2.40	0.23	0.24	7.23	1.90	0.91	0.96	0.97	0.79	1.82	2.46
5.85	9.91	1.38	2.68	0.23	0.24	8.06	1.90	0.91	0.96	0.97	0.79	1.82	2.46
6.25	10.51	1.38	2.88	0.23	0.24	8.06	1.90	0.91	0.96	0.97	0.79	1.82	2.46
Sleeper Cab													
3.45	6.31	1.38	1.48	0.63	0.24	4.06	1.90	0.91	0.96	0.97	0.79	1.82	2.46
3.75	6.76	1.38	1.63	0.63	0.24	4.51	1.90	0.91	0.96	0.97	0.79	1.82	2.46
4.15	7.36	1.38	1.83	0.63	0.24	5.11	1.90	0.91	0.96	0.97	0.79	1.82	2.46
4.45	7.80	1.38	1.98	0.63	0.24	5.56	1.90	0.91	0.96	0.97	0.79	1.82	2.46
4.75	8.26	1.38	2.13	0.63	0.24	6.01	1.90	0.91	0.96	0.97	0.79	1.82	2.46
5.30	9.08	1.38	2.40	0.63	0.24	6.83	1.90	0.91	0.96	0.97	0.79	1.82	2.46
5.85	9.91	1.38	2.68	0.63	0.24	7.66	1.90	0.91	0.96	0.97	0.79	1.82	2.46
6.25	10.51	1.38	2.88	0.63	0.24	8.26	1.90	0.91	0.96	0.97	0.79	1.82	2.46



- 1) Restrictions due to legal regulations and area of application as well as drive line specification have not been taken into account.
- 2) For Municipal services and Tipper application, other WB/AE combinations are available.
- 3) BL dimensions calculated on chassis dimensions. For exact body lengths refer to TOPEC calculation.
- 4) Laden height at centre of front axle.
- 5) Laden height at centre of rear axle.
- 6) Laden height at centre of rear axle with air suspension.

ENGINE

General:	6 cylinder CE version				
Piston displacement:	5.9 litres				
Compression ratio:	17.3 to 1				
Fuel injection:	Common rail system				
Type	Maximum output		Maximum torque		
	kW	hp	rpm	Nm	rpm
CE 162 C	162	220	2500	820	1200 – 1700
CE 184 C	184	250	2500	950	1200 – 1700

Maximum output and torque according ECE R24-03 (ISO 1585).

CHASSIS

Completely flat-topped ladder type chassis frame. Riveted and bolted construction of channel-section main frame members and cross members. 325-litre steel fuel tank. Horizontal line type exhaust silencer inside the chassis frame with vertical tailpipe. Spare wheel carrier with winch. Dimensions main frame members: 260 x 75 x 6 mm

GEARBOX

6 S 850, 6 Speed synchromesh gearbox.
FS6309, 4 Speed main gearbox with range-change group and crawler gear, giving 9-speeds.
MD3060P, 5 speed automatic gearbox with torque converter.

Gearbox / Engine / SR 11.26 axle	162	184
6 S 850 (6.72 - 0.79)	X	-
FS6309 (12.57 - 1.00)	X	X
MD 3060P (3.49 - 0.75)	X	X

CLUTCH

Single type, pushed operation, asbestos free, dry plate, hydraulically operated and pneumatically assisted.

Diameter: 395 mm on CE

FRONT AXLE

Type: **152N**
 Max. design load: 7500 kg

REAR AXLES

Type: **SR 11.26**
 Max. design load: 11500 kg

Single reduction driven axle.

Note: SR 1132 from June 2005

Optional:

- Lockable differential.

FRONT SUSPENSION

Parabolic type leaf springs with swinging shackles at rear. Maintenance free construction including shock absorbers and stabilizer.

REAR SUSPENSION

Parabolic type leaf springs (11500 kg) with sliding ends at rear.

Optional:

- 4-Bag air suspension.

WHEELS AND TYRES

22.5" x 8.25 (10 stud) steel disc wheels, with 295 / 80 R 22.5 tubeless radial tyres at front and rear. Twin wheels at rear. Spare wheel with tyre. Wheel protection rings – silver.

STEERING

Turning circle (295 / 80 R 22.5)	Between kerbs	Between walls
WB 3.45 m	12.20 m	13.50 m
WB 3.75 m	12.70 m	14.30 m
WB 4.15 m	13.70 m	15.30 m
WB 4.45 m	14.50 m	16.10 m
WB 4.75 m	15.20 m	16.90 m
WB 5.30 m	16.60 m	18.30 m
WB 5.85 m	18.10 m	19.70 m
WB 6.25 m	19.10 m	20.70 m

(All given turning circles are under reservation).

BRAKE SYSTEM

Dual-circuit air operated disc brakes at front and rear. ABS and asbestos free brake pads. Pneumatic operated exhaust brake.
 Brake dimension: front / rear 432 x 45 mm discs.
 Parking brake: by means of spring brake actuators on rear axle.

Optional:

- ASR.

ELECTRICAL EQUIPMENT

Voltage: 24 V
 Alternator: 80 A
 Batteries: 2 x 125 Ah

DRAWBAR / TRAILER EQUIPMENT

Maneuvering towing / pushing pin at front.

Optional:

- Drawbar cross member D = 75. - 12 V or 24 V trailer connection.
 - Pneumatic trailer connection. - 3 x 7-pole.

CAB EXTERIOR

- F213 tilt Day Cab with 4 point maintenance free suspension, hydraulic tilting gear. Tilting angle 55°.
 - Heated main and wide angle mirrors for body width up to 2.50 m.
 - Fixed, illuminated cab steps.
 - Steel front bumper with foot hold.
 - Cab rear window (Day Cab).

Optional:

- Sleeper Cab - Roof hatch
 - External sun visor - Immobiliser and alarm
 - Electronically adjustable main mirrors - Auxillary lights

Aerodynamics:

All cabs with integrated corner air deflectors.

Optional:

- Top and side collars. - Aerodynamic fixed roof spoiler,
 - Basic roof spoiler, adjustable height 900 or 1100 mm.
 height between 525 and 775 mm. - FUPS.

Colours:

- Choice of 21 basic solid cab colours and 3 chassis colours.

CAB INTERIOR

Completely equipped instrument panel. Speed limiter. Cruise control. Mechanical gear shift system. Adjustable steering column. Adjustable air suspended driver seat and fixed co-driver seat. Various storage facilities. Sleeper cab with 1 bunk. Hydraulic power steering, 2 spoke, soft grip steering wheel. Integrated 3-point safety belt. Headlamp levelling.

Optional:

- Various driver/co-driver seats. - Air conditioning.
 - 3rd seat (Day Cab). - Electric window opener.
 - Drivers side air bag. - Sleeper cab with 1 bunk.

GENERAL EQUIPMENT**Legal aspects**

- Exhaust emission according to Euro III
 - EEC certified noise encapsulation CE 162 / 184 80Db(A) ISO.
 - EC Steering Certificate. - ECE29 Cab strength.

Application conditions

- Air intake behind cab.
 - Set of tools.
 - Cooling ambient temperature 45 °C.
 - Acoustic reversing signal.
 - Solo application.

Optional:

- Drawbar application.

MAX. SPEED

Theoretical max. speed in km/h at 2500 rpm with 295 / 80 R 22.5 tyres.

Ratios	3.73	4.10	4.56	5.13	5.71	6.33
6.72 - 0.79: 1	-	-	-	118	106	96

Direct drive 129 117 105 93 84 76
 Max. speed depending on gear ratios, tyres, superstructure, GCM and operation conditions.